

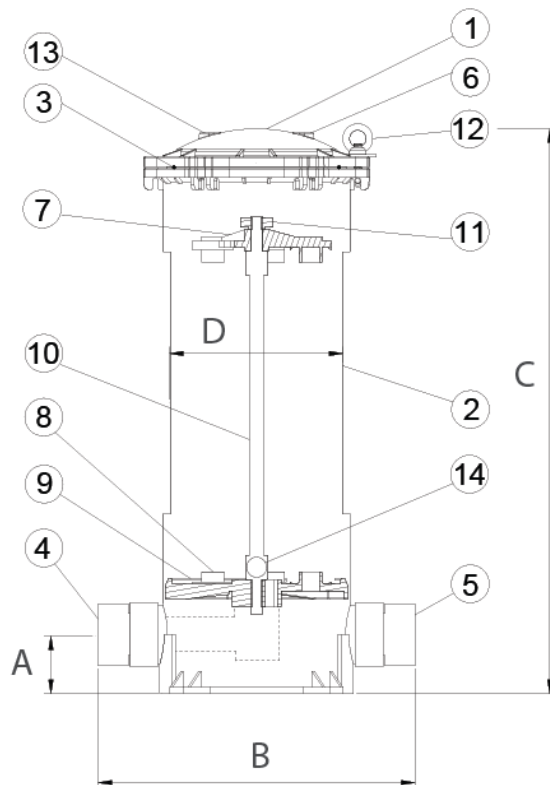


### SPECIFICATION

Material	: UPVC
Finishing	: Smooth Finish
Inlet / Outlet	: 1.5" BSP(F)
Vent	: 1/4" NPT (F)
Pressure Guage Port	: 1/4" NPT (F)
Drain	: 1/2" NPT (F)

Dimension (mm)

MODEL	CARTRIDGES	A	B	C	D	MAX. FLOW RATE
CFHU 5 -SB	5 ROUND 10"	75	365	465	225	5 m <sup>3</sup> /hr
CFHU 10-SB	5 ROUND 20"	75	365	715	225	10 m <sup>3</sup> /hr
CFHU 15-SB	5 ROUND 30"	75	365	965	225	15 m <sup>3</sup> /hr
CFHU 20-SB	5 ROUND 40"	75	365	1215	225	20 m <sup>3</sup> /hr



### PARTS LIST

No	Description	Qty.
1	Top Lid	1
2	Body	1
3	O-ring	1
4	Inlet	1
5	Outlet	1
6	Vent	1
7	Cartridge Press Plate	1
8	Cartridge Position Cup	5
9	Cartridge Support Plate	1
10	Thread Rod	1
11	Press Nut	1
12	Swing Bolt & Nut	6
13	Pressure Guage Port	1
14	Drain	1

Design pressure : 100 psi  
 Max. Operating pressure : 75 psi  
 Design temperature : 45 Degree Celcius