

UPVC BAG FILTER HOUSING

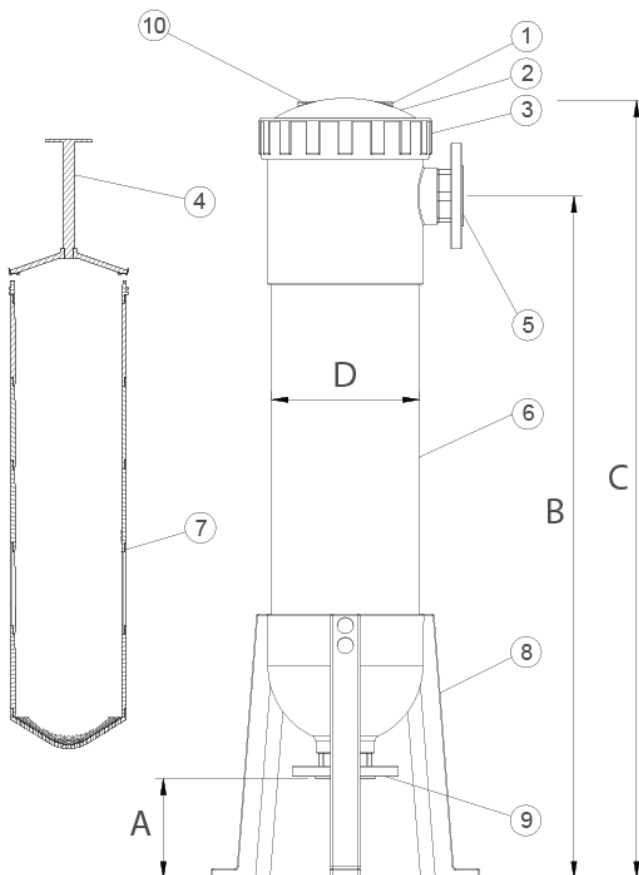


SPECIFICATION

Material	: UPVC
Finishing	: Smooth Finish
Inlet / Outlet	: 2" ANSI Flange
Vent	: 1/4" NPT (F)
Pressure Guage Port	: 1/4" NPT (F)

Dimension (mm)

MODEL	BAG SIZE	A	B	C	D	MAX. FLOW RATE
BFHU 1	7" DIA. X 16" L	150	630	785	Ø225	25 m ³ /hr
BFHU 2	7" DIA. X 31" L	150	1015	1180	Ø225	45 m ³ /hr



PARTS LIST

No	Description	Qty.
1	Vent	1
2	Top Lid	1
3	Clamp	1
4	Bag Press	1
5	Inlet	1
6	Body	1
7	Bag Strainer	1
8	Leg	3
9	Outlet	1
10	Pressure Guage Port	1

Design pressure : 60 psi
 Max. Operating pressure : 45 psi
 Design temperature : 45 Degree Celcius