

UPVC BAG FILTER HOUSING

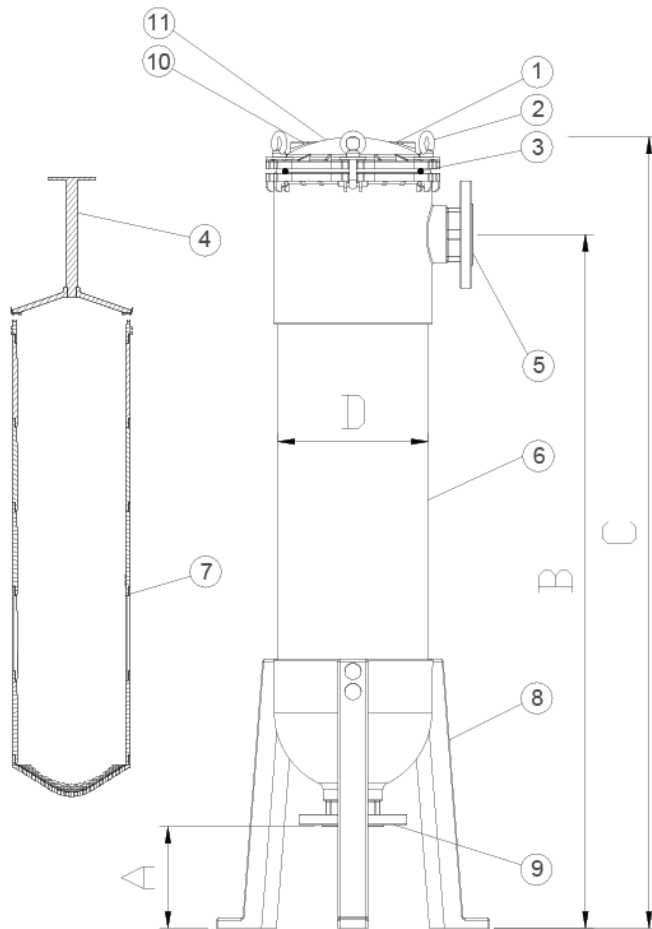


SPECIFICATION

Material	: UPVC
Finishing	: Smooth Finish
Inlet / Outlet	: 2" ANSI Flange
Vent	: 1/4" NPT (F)
Pressure Guage Port	: 1/4" NPT (F)

Dimension (mm)

MODEL	BAG SIZE	A	B	C	D	MAX. FLOW RATE
BFHU 1 SB	7" DIA. X 16" L	175	685	830	Ø225	25 m ³ /hr
BFHU 2 SB	7" DIA. X 31" L	175	1065	1210	Ø225	45 m ³ /hr



PARTS LIST

No	Description	Qty.
1	Vent	1
2	Swing Bolt & Nut	6
3	O-ring	1
4	Bag Press	1
5	Intlet	1
6	Body	1
7	Bag Strainer	1
8	Leg	3
9	Outlet	1
10	Pressure Guage Port	1
11	Top Lid	1

Design pressure : 100 psi
 Max. Operating pressure : 75 psi
 Design temperature : 45 Degree Celcius