

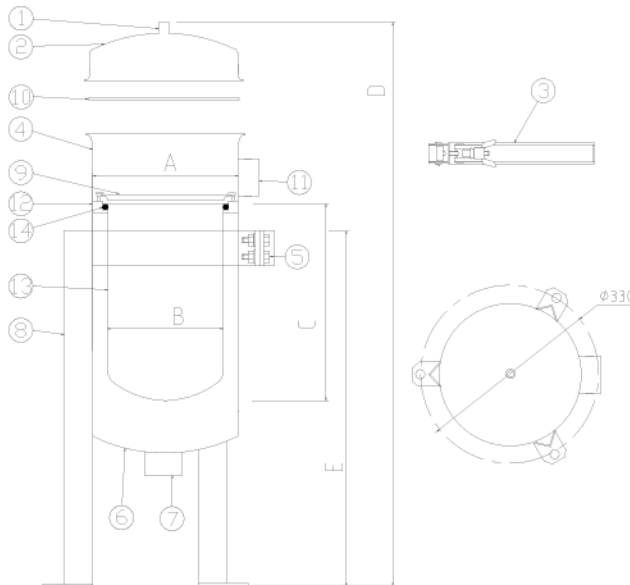


SPECIFICATION

| | |
|----------------|-----------------------------|
| Material | : 304 SS, 316L SS |
| Finishing | : Mirror Polish, Sand Blast |
| Inlet / Outlet | : 2" NPT(F), 2" Flange |
| Vent | : 1/4" NPT (F) |

Dimension (mm)

| MODEL | BAG SIZE | A | B | C | D | E |
|-------|-----------------|------|-----|-----|------|-----|
| BFH 1 | 7" DIA. X 16" L | Ø230 | 170 | 350 | 740 | 500 |
| BFH 2 | 7" DIA. X 31" L | Ø230 | 170 | 730 | 1090 | 700 |



PARTS LIST

| No | Description | Qty. |
|----|----------------|------|
| 1 | Vent | 1 |
| 2 | Top Lid | 1 |
| 3 | Clamp | 1 |
| 4 | Body | 1 |
| 5 | Body Clamp Nut | 2 |
| 6 | Bottom Lid | 1 |
| 7 | Outlet | 1 |
| 8 | Leg | 3 |
| 9 | Bag Press | 1 |
| 10 | O-ring | 1 |
| 11 | Inlet | 1 |
| 12 | Basket Support | 1 |
| 13 | Basket | 1 |
| 14 | Basket Seal | 1 |

Design pressure : 125 psi
 Max. Operating pressure : 100 psi
 Design temperature : 50 to 200 Degree Celcius