

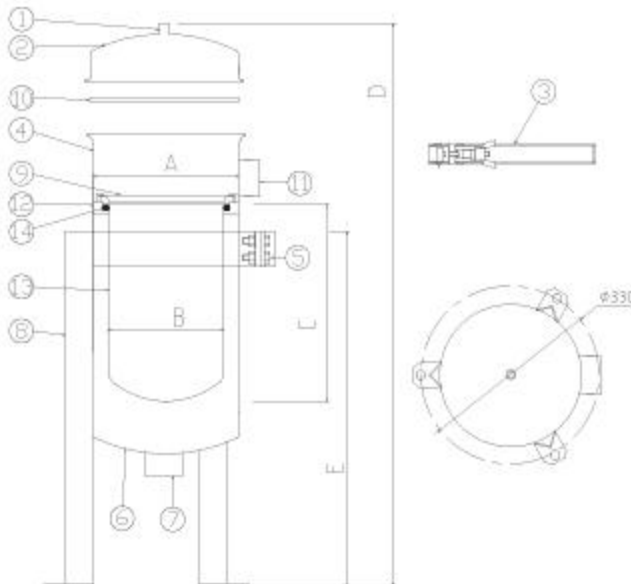


SPECIFICATION

Material	: 304 SS, 316L SS
Finishing	: Mirror Polish, Sand Blast
Inlet / Outlet	: 2" NPT(F), 2" Flange
Vent	: 1/4" NPT (F)

Dimension (mm)

MODEL	BAG SIZE	A	B	C	D	E
BFH 1	7" DIA. X 16" L	Ø230	170	350	740	500
BFH 2	7" DIA. X 31" L	Ø230	170	730	1090	700



PARTS LIST

No	Description	Qty.
1	Vent	1
2	Top Lid	1
3	Clamp	1
4	Body	1
5	Body Clamp Nut	2
6	Bottom Lid	1
7	Outlet	1
8	Leg	3
9	Bag Press	1
10	O-ring	1
11	Inlet	1
12	Basket Support	1
13	Basket	1
14	Basket Seal	1

Design pressure : 125 psi
 Max. Operating pressure : 100 psi
 Design temperature : 50 to 200 Degree Celcius