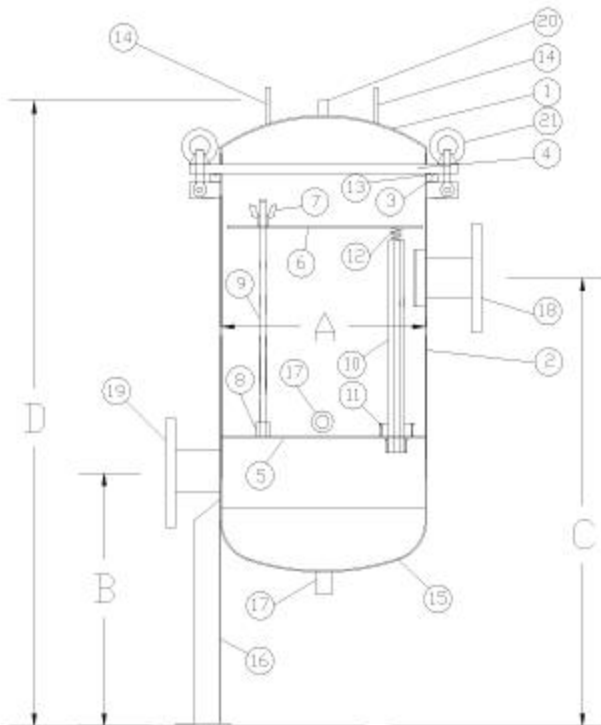




## SPECIFICATION

Material	: 304 SS, 316L SS
Finishing	: Mirror Polish, Sand Blast
Inlet / Outlet	: 1.5" NPT (F), 1.5" Flange
Vent	: 1/4" NPT (F)
Drain	: 1/2" NPT (F)

MODEL	CARTRIDGES	Dimension (mm)			
		A	B	C	D
CFH 3 - SB	3 ROUND 10"	160	220	336	650
CFH 6 - SB	3 ROUND 20"	160	220	364	832
CFH 9 - SB	3 ROUND 30"	160	220	464	1222
CFH 12 - SB	3 ROUND 40"	160	220	488	1492



Design pressure : 185 psi  
 Max. Operating pressure : 150 psi  
 Design temperature : 50 to 200 Degree Celcius

## PARTS LIST

No	Description	Qty.
1	Top Lid	1
2	Body	1
3	O-ring Brim	1
4	Top Lid Brim	1
5	Cartridge Support Plate	1
6	Press Plate	1
7	Press Nut	1
8	Fixed nut	1
9	Thread Rod	1
10	Cartridge position bar	3
11	Cartridge position cup	3
12	Press spring	3
13	O-ring	1
14	Handle	1
15	Bottom Lid	1
16	Leg	3
17	Drain	2
18	Intlet	1
19	Outlet	1
20	Vent	1
21	Swing Bolt & Nut	4